



SANITARY BY DESIGN

ANDERSON-NEGELE

Application Bulletin

# ITM-3 HTST Water Flush Transition Detection

## The Application

A turbidity sensor is located on the discharge piping prior to the final pasteurized storage tanks.

## The Requirements

Following a production run a pasteurization piping schematic is chased with water to recover pasteurized product to the storage tanks. A turbidity monitor gives indication that the product-water interface has finished moving through the piping schematic.

## The Anderson Solution

The ITM-3 is located at the discharge of an HTST processing system to continuously monitor the relative turbidity of liquid in the pipeline. When a product process run is completed a water flush is initiated on the input side of the system to push the product from the system into the pasteurized storage tanks. The ITM-3 continuously monitors the solids content of the outgoing liquid and gives an analog output signal of the relative turbidity. As the turbidity begins to decline caused by dilution with water a decision is automatically made by the control system to redirect flow from the storage tanks to drain or the waste water recovery system.

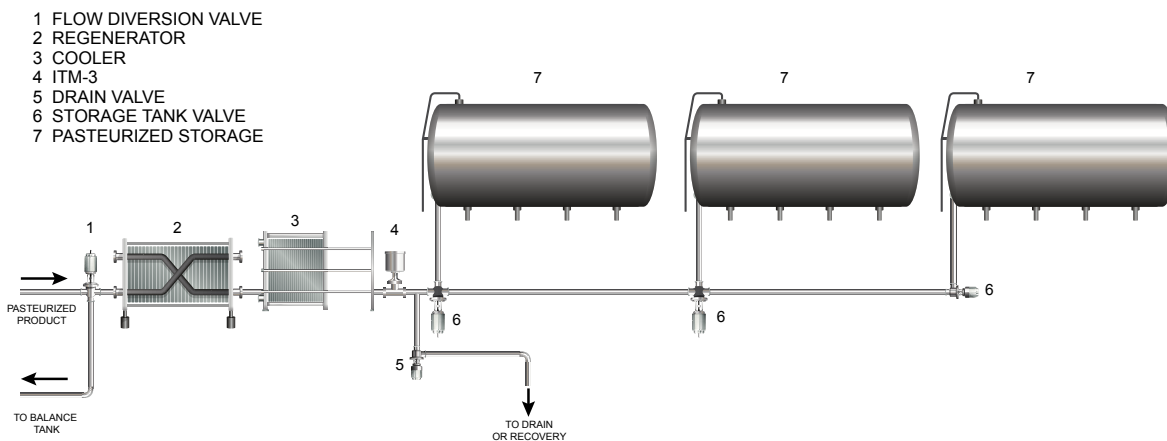
## ITM-3



## The Anderson Advantage

- Fast acting electronics offer quick response to product changes enabling predictable recovery
- LED lamp technology avoids deterioration in measurement experienced by other illumination sources providing years of trouble free service.
- Standard programmable switched and analog outputs simplify integration into plant control systems
- Extended length "L" model overcomes the difficulties of measuring transition with high viscosity product applications
- Selectable ranges increase resolution to achieve optimal trigger points for flow diversion

## Application Drawing



ITM-3\_04010\_2.0\_en\_na

ANDERSON INSTRUMENT CO., INC • 156 AURIESVILLE RD. • FULTONVILLE, NY 12072 • USA • 800-833-0081 • FAX 518-922-8997  
 ANDERSON INSTRUMENT CO. LP • 400 BRITANNIA RD. EAST, UNIT 1 • MISSISSAUGA, ONTARIO L4Z 1X9 • CANADA • 905-603-4358 • FAX 905-568-1652  
 NEGELE MESSTECHNIK GmbH (A Division of Anderson) • Raiffeisenweg 7 • D-87743 Egg a. d. Günz • GERMANY • +49 (0) 8333/9204-0 • FAX +49 (0) 8333/9204-49

www.andinst.com